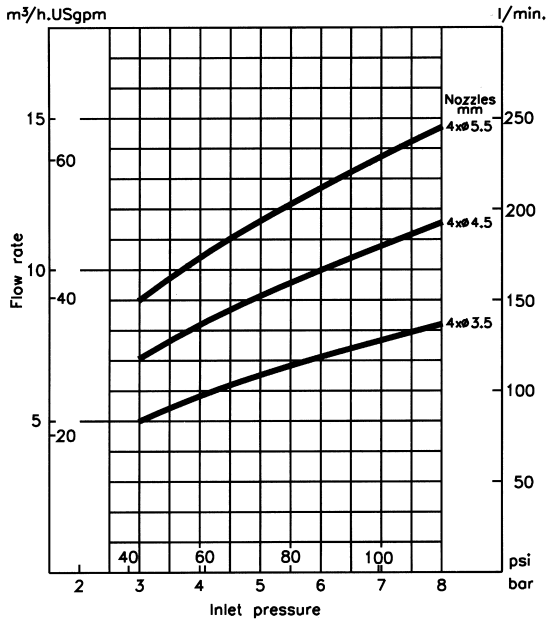
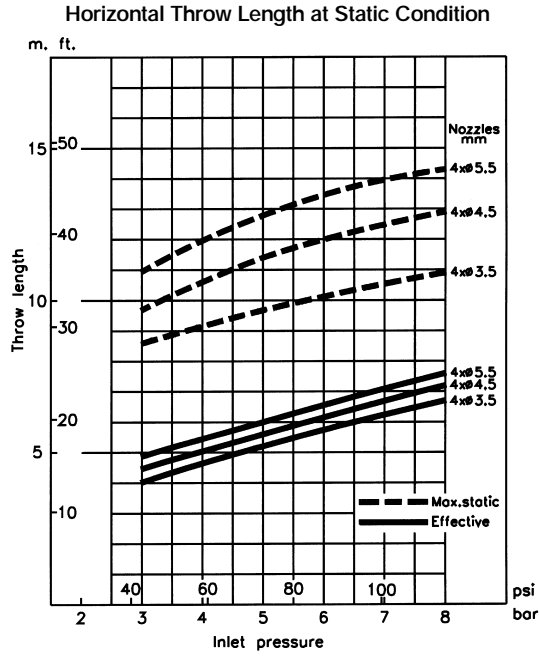


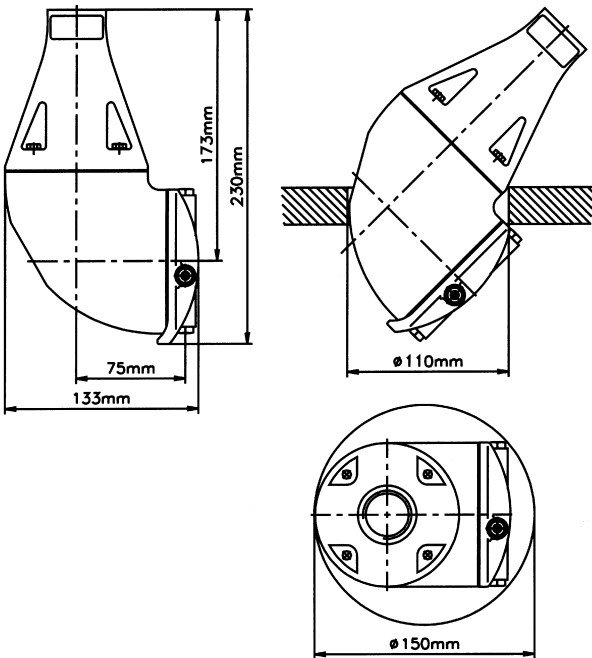
## FLOW RATE



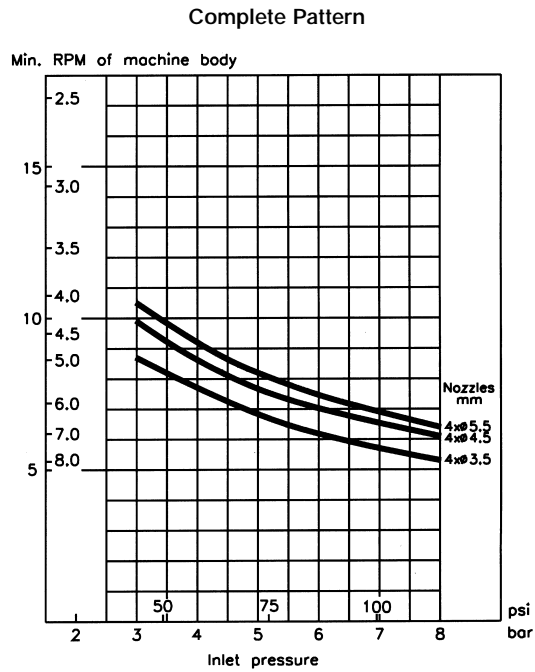
## THROW LENGTH



## DIMENSIONS



## CLEANING TIME



CLEANING IN PLACE

# TYPE TJ 20G

Contact our Helpline for any special requirements:  
Tel: +44 (0) 151 424 6821  
Fax: +44 (0) 151 495 1043  
e-mail: sales@delavan.co.uk  
Web: www.delavan.co.uk

